

IMV VIBRATION TEST SYSTEMS

J series

Air cooled Vibration Test Systems

J240 / SA4AM EM2405A



Long duration shock tests require high velocity and large displacement. J-series is a high-frequency system that offers usability and durability furnished with functions that accommodates high velocity and displacement testing.

[Expanded maximum test range]

Max. velocity of Sine force: 2.4 m/s • Max. velocity of Shock force 4.6 m/s • Max. displacement: 100 mmp-p

[Patented upper (armature) support system PS Guide] Parallel Slope Guide is standard.

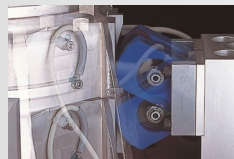
[Low noise] Optimised design of the air intake based on fluid dynamics has reduced the air-intake noise.

[All models can be directly coupled to a climatic chamber.]



① High Velocity and Large Displacement

High velocity of 2.4 m/s and Large displacement of 100 mmp-p (4 inch).



■ PSG guide system

② Improvement of Testing Environment

With the operation of Intelligence Shaker Management (ISM), EM range can reduce power consumption and CO2 emissions automatically.

eco-shaker

② User first principle

Compatible with K2 vibration controller. Intuitive interface leads The operator with user-friendly guidance.



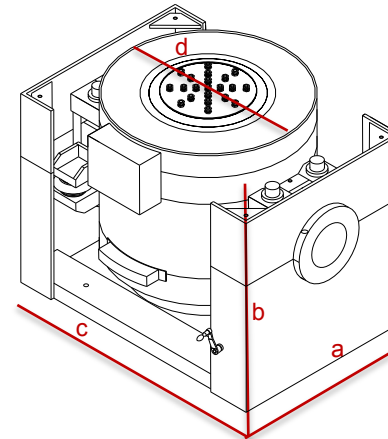


System Specifications		
System Model	J240/SA4AM	EM2405A
Frequency Range (Hz)	0-2400	
Rated Force	Sine (kN)	24
	Random (kN rms) *1	24
	Shock (kN)	55
Maximum Acc.	Sine (m/s ²)	923
	Random (m/s ² rms)	646
	Shock (m/s ²)	2115
Maximum Vel.	Sine (m/s)	2.4
	Shock (m/s peak)	2.4
Maximum Disp.	Sine (mmp-p)	100
	Maximum Travel (mmp-p)	120

Vibration Generator (J240)	
Armature Mass (kg)	26
Armature Diameter (φ mm)	290
Armature Resonance (Hz)	2000
Allowance Eccentric moment (N.m)	850
Maximum Payload (kg)	400
Mass (kg)	2400

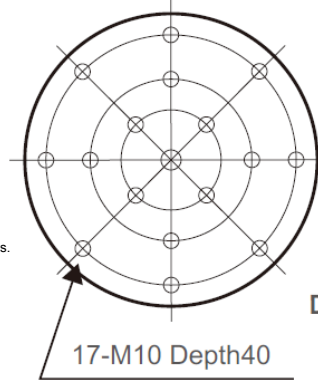
Cooling Blower		
Model	VAPE/N 560/2R	
Mass (kg)	150	
Environmental Data		
Power Requirement (kVA) *2	38	
Input Voltage Supply (3 φ, V)	380/400/415/440	
Compressed Air Supply (Mpa)	0.6	
Working Ambient	Temperature (°C)	0 - 40
	Humidity (%RH)	0 - 85

Power Amplifier		
System Model	SA4AM-J40	SA4AM-J40EM
Maximum Output [kVA]	34	34
Mass [kg]	440	490



Shaker
Model: J240

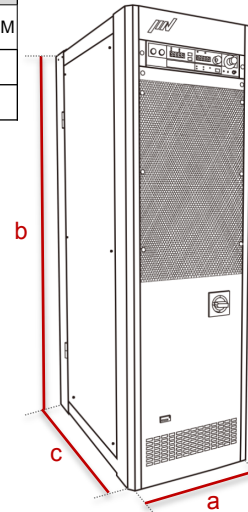
- a: W 1234 mm
- b: H 1145 mm
- c: D 890 mm
- d: 720 φmm



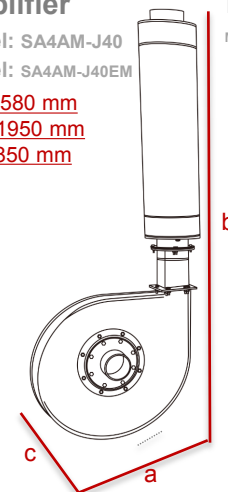
17-M10 Depth40

(P.C.D.100,160,250)

Diameter φ290
unit: mm



Amplifier
Model: SA4AM-J40
Model: SA4AM-J40EM
a: W 580 mm
b: H 1950 mm
c: D 850 mm



Blower
Model:VAPE/N 560/2R
a: W 929 mm
b: H 2175 mm
c: D 534 mm

*1) Random force ratings are specified in accordance with ISO5344 conditions.
 *2) Power supply: 3-phase 380/400/415/440 V, 50/60 Hz. A transformer is required for other supply voltages.
 *3) Maximum velocity 4.6 m/s. High velocity restricts maximum Shock force.
 Please contact IMV or your local distributor with specific test requirements.
 * The specification shows the maximum system performance.
 For long-duration tests, de-rating by up to 70 % must be applied.
 Continuous use at maximum levels may cause failure.
 * In the case of Random vibration test, please set the test definition of the peak value of acceleration waveform to be operated less than the maximum acceleration of Shock.
 * Frequency range values vary according to sensor and vibration controller.