

# IMV VIBRATION TEST SYSTEMS K series

## Water cooled Vibration Test Systems

# K030 / SA4AM EMK0301A



K series vibration test system is ideal for testing of large sized specimen with high acceleration test requirements, in the field of electronic assemblies, automotive parts, aviation, avionics parts satellite. K series is designed to meet international test standards including IEC, ISO and JIS.

IMV's patented upper (armature) support system; Parallel Slope Guide has improved the durability of the system extending the lifetime of the upper guidance system, with a lifetime of up to several times greater than the other standard shaker. Extended displacement available up to 100 mm (4 inch) with K series.



### ① High Excitation Force and Long Stroke

Force rating up to 200 kN, wide frequency range up to 3,000. To allow long stroke testing, maximum displacement 100 mm (4 inch) is available with K125LS shaker.



■ PSG guide system

### ② Easy maintenance

- All connections of electricity and water are in the upper part of the armature.
- It is easy to inspect and change the armature



### ③ Improvement of Testing Environment

No exhaust noise of the cooling blower. Further, with the operation of intelligence Shaker Management (ISM), EM range can reduce power consumption and CO2 emissions automatically.

**eco-shaker**

# IMV VIBRATION TEST SYSTEMS K series

Water cooled Vibration Test Systems

## K030 / SA4AM EMK0301A

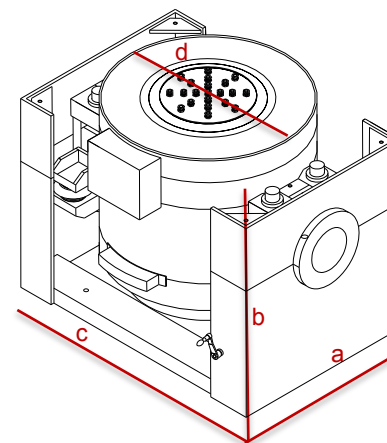


System Specifications		
System Model		K030/SA4AM  EMK0301A
Frequency Range (Hz)		0-3000
Rated Force	Sine (kN)	30.8
	Random (kN rms) *1	21.5
	Shock (kN)	61.6
Maximum Acc.	Sine (m/s <sup>2</sup> )	1000
	Random (m/s <sup>2</sup> rms)	557
	Shock (m/s <sup>2</sup> )	2000
Maximum Vel.	Sine (m/s) *3	1.8*3
	Shock (m/s peak)	1.8
Maximum Disp.	Sine (mmp-p)	51
	Maximum Travel (mmp-p)	58

Vibration Generator (K030)	
Armature Mass (kg)	27
Armature Diameter (φ mm)	320
Armature Resonance (Hz)	2500
Allowance Eccentric Moment (N·m)	980
Maximum Payload (kg)	500
Mass (kg)	3000

Heat Exchanger		
System Model	VE-HE-60-SA	
Mass (kg)	400	
Environmental Data		
Power Requirement (kVA) *2	49	
Input Voltage Supply (3 φ, V)	380/400/415/440	
Compressed Air Supply (Mpa)	0.6	
Facility Cooling Water Flow Rate (l/min)	195 at Δt =5°C	
	36 at Δt =12°C	
Working Ambient	Temperature(°C)	0 - 40
	Humidity (%RH)	0 - 85

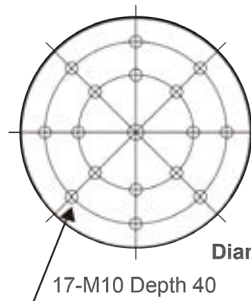
Power Amplifier		
System Model	SA4AM-K30	EM4AM-K30
Maximum Output [kVA]	33	33
Mass [kg]	950	950



### Shaker

Model: K030

- a: W 1100 mm
- b: H 1090 mm
- c: D 824 mm
- d: 760 φmm



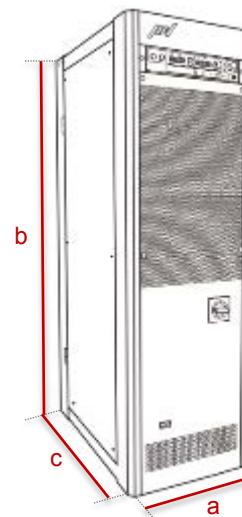
Diameter φ320

17-M10 Depth 40

unit: mm

(P.C.D.160, 250)

K030



### Amplifier

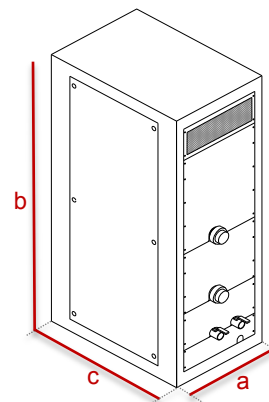
Model: SA4AM-K30  
Model: EM4AM-K30

- a: W 580 mm
- b: H 1950 mm
- c: D 850 mm

### Heat Exchanger

Model:VE-HE-60-SA

- a: W 580 mm
- b: H 1700 mm
- c: D 850 mm



\*1) Random force ratings are specified in accordance with ISO5344 conditions.  
 \*2) Power supply: 3-phase 380/400/415/440 V, 50/60 Hz. A transformer is required for other supply voltages.  
 \*3) If the tests (Sweep or Spot) include high velocity, the maximum velocity value should be reduced to 1.4 m/s.  
 \* The specification shows the maximum system performance.  
 For long-duration tests, de-rating by up to 70 % must be applied.  
 Continuous use at maximum levels may cause failure.  
 \* In the case of Random vibration test, please set the test definition of the peak value of acceleration waveform to be operated less than the maximum acceleration of Shock.  
 \* Frequency range values vary according to sensor and vibration controller.