

IMV VIBRATION TEST SYSTEMS

J series

Air cooled Vibration Test Systems

J260 / SA7AM EM2605A



Long duration shock tests require high velocity and large displacement. J-series is a high-frequency system that offers usability and durability furnished with functions that accommodates high velocity and displacement testing.

[Expanded maximum test range]

Max. velocity of Sine force: 2.4 m/s • Max. velocity of Shock force 4.6 m/s • Max. displacement: 100 mmp-p

[Patented upper (armature) support system PS Guide] Parallel Slope Guide is standard.

[Low noise] Optimised design of the air intake based on fluid dynamics has reduced the air-intake noise.

[All models can be directly coupled to a climatic chamber.]



① High Velocity and Large Displacement

High velocity of 2.4 m/s and Large displacement of 100 mmp-p (4 inch).



■ PSG guide system

② Improvement of Testing Environment

With the operation of Intelligence Shaker Management (ISM), EM range can reduce power consumption and CO2 emissions automatically.

eco-shaker

② User first principle

Compatible with K2 vibration controller. Intuitive interface leads The operator with user-friendly guidance.





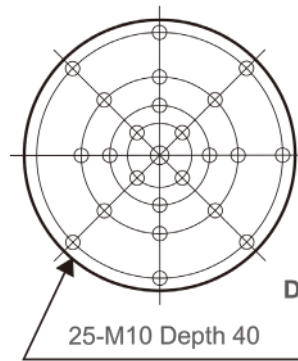
| System Specifications | | | |
|-----------------------|-------------------------------|------------|------------|
| System Model | | J260/SA7AM | EM2605A |
| Frequency Range (Hz) | | 0-2600*3 | |
| Rated Force | Sine (kN) | 54 | |
| | Random (kN rms) *1 | 54 | |
| | Shock (kN) | 108 | |
| Maximum Acc. | Sine (m/s ²) | 857 | |
| | Random (m/s ² rms) | 600 | |
| | Shock (m/s ²) | 1714 | |
| Maximum Vel. | SINE (m/s) | 2.4 | |
| | Shock (m/s peak) | 2.4 | 2.4(3.5)*4 |
| Maximum Disp. | Sine (mmp-p) | 100 | |
| | Maximum Travel (mmp-p) | 116 | |

| Vibration Generator (J260) | |
|----------------------------------|------|
| Armature Mass (kg) | 63 |
| Armature Diameter (φ mm) | 446 |
| Armature Resonance (Hz) | 1800 |
| Allowance Eccentric Moment (N·m) | 1550 |
| Maximum Payload (kg) | 1000 |
| Mass (kg) | 4100 |

*1) Random force ratings are specified in accordance with ISO5344 conditions.
 *2) Power supply: 3-phase 380/400/415/440 V, 50/60 Hz. A transformer is required for other supply voltages.
 *3) Above 2000 Hz, the force rolls-off f at a rate of -12 dB/oct.
 *4) Maximum velocity 4.6 m/s. High velocity restricts maximum Shock force.
 Please contact IMV or your local distributor with specific test requirements.
 * The specification shows the maximum system performance.
 For long-duration tests, de-rating by up to 70 % must be applied.
 Continuous use at maximum levels may cause failure.
 * In the case of Random vibration test, please set the test definition of the peak value of acceleration waveform to be operated less than the maximum acceleration of Shock.
 * Frequency range values vary according to sensor and vibration controller.

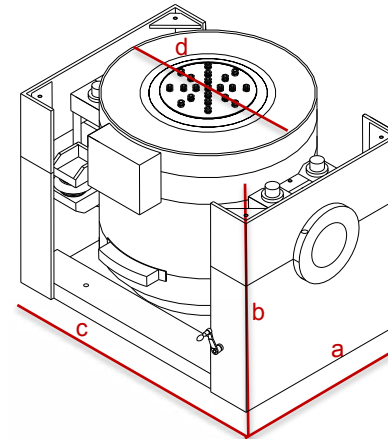
| Cooling Blower | | |
|-------------------------------|------------------|--------|
| Model | VAPE 710/N2 | |
| Mass (kg) | 250 | |
| Environmental Data | | |
| Power Requirement (kVA) | 86 | |
| Input Voltage Supply (3 φ, V) | 380/400/415/440 | |
| Compressed Air Supply (Mpa) | 0.7 | |
| Working Ambient | Temperature (°C) | 0 - 40 |
| | Humidity (%RH) | 0 - 85 |

| Power Amplifier | | |
|----------------------|-----------|-------------|
| System Model | SA7AM-J60 | SA7AM-J60EM |
| Maximum Output [kVA] | 70 | 70 |
| Mass [kg] | 1400 | 1400 |



(P.C.D.100,160, 250, 400)

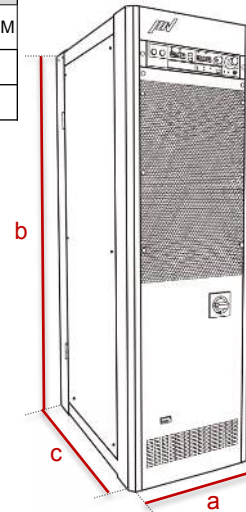
J260



Shaker

Model: J260

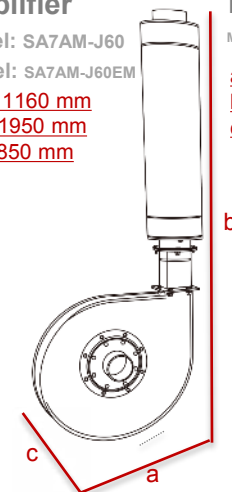
- a: W 1527 mm
- b: H 1319 mm
- c: D 1100 mm
- d: 920 φmm



Amplifier

Model: SA7AM-J60
Model: SA7AM-J60EM

- a: W 1160 mm
- b: H 1950 mm
- c: D 850 mm



Blower

Model:VAPE 710/N2

- a: W 1160 mm
- b: H 2405 mm
- c: D 787 mm